



Smart Refractor RT-3100



Subj R 64.0 BIN FAR 10:03 J0 included
-1.75 S -3.00 S -3.50 L 2.25 LM
-0.75 0 -1.50 C -1.00 0 -0.25 0
50 176 A 4 70 AR
0.00 ADD 0.00 S20
-0.00 0 VA 400 Final
200 25 400
FZBD 40
OFLC 30
APEO 25
0° 45° 90° 135° C+/-

| | | | | | | | | | |
|-------|---|-------|-----|-------|--|--|--|--|--|
| 2.00 | R | | | | | | | | |
| -1.00 | | -2.25 | S | -3.00 | | | | | |
| 0 | | -1.25 | C | -0.75 | | | | | |
| 30 | | 175 | A | 5 | | | | | |
| AR | | +2.25 | ADD | +2.25 | | | | | |
| -3.00 | | 20 | 15 | 25 | | | | | |
| -1.50 | | | | | | | | | |
| 170 | | | | | | | | | |

E H E
ZCB BCZ
OLF FLO
VET TV

45° 90° 135° CH-

The Art of Eye Care



The image shows a Nidek RT-3100 Auto Refractor, a compact and modern piece of ophthalmic equipment. It is primarily white with grey accents and features several control knobs and buttons on top. The device is designed for efficient and accurate refraction examinations.

The New Auto Refractor RT-3100 Compact & Fast Examination

Easy Program of Refraction Sequences

The RT-3100 represents the ease of auto examinations with accurate operation and consistent results each time with every operator.

The built-in Eye Care card system, printer and simple software updates, support the complete examination practice. In addition to these functions, connection to EMR (Electric Medical Record) and comparison between auto lensmeter / auto refractometer data can be performed with the touch of a button.





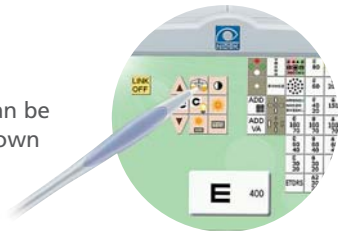
Control Box with Touch Panel for Easy Operation

■ 5.7-inch Color LCD

Enhanced informative color LCD touch panel can display a great deal of information.

■ Switching Charts and LED

VA charts and near point lamp (LED) can be selected easily by pressing the icons shown on the touch panel.



■ Advanced Dial with S/C/A Mode Keys

The dial on the control panel provides easy operation. S/C/A mode keys in the center of the dial allows the operator to quickly refine sphere, cylinder and axis powers using only one hand.



■ Smart and Reliable Examinations

Easy operation does not only reduce the physical burden of operators, but also lightens the pressure of examinations for patients.

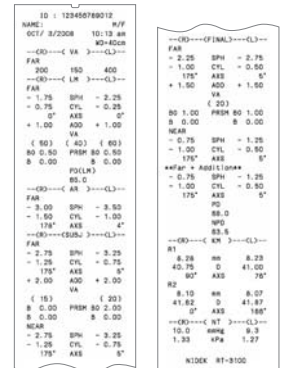
■ Cross Cylinder Examination

Cross cylinder examination is effective for astigmatism examinations. Adjusting the axis can be set automatically by pressing the cross cylinder button. Spherical equivalent is also adjusted automatically.



Built-In High Speed Line Printer with Automatic Paper Cutting

The RT-3100 control box includes a built-in high-speed printer to automatically print out the thermal tape. The data display of the measurement is easy to read. Measurement data is simply laid out and is useful for explanation to patients. Replacing a new roll paper is easy and exchanging time takes only a few seconds. The automatic cutter leaves a small section of paper uncut to prevent the paper from falling, which is user-friendly.



Software Update with CompactFlash* Card

Quick and easy future upgrades can be performed with CompactFlash* card.

*CompactFlash is a trade mark of SanDisk Corporation.

Printout examples

Ergonomically-Designed Refractor Head for Comfortable Examinations

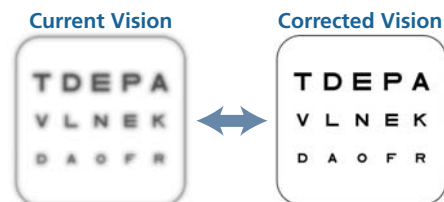
■ Compact Design & Wide Visual Field (40°)

The RT-3100's compact and ergonomic design covers the patient's face partially, offering very comfortable examinations. A wide visual field of 40° also provides a natural view environment for the patient, enabling more realistic and accurate refractions.

■ Smooth, Quiet Lens Selection for Faster Examinations

The RT-3100 keypad makes refining sphere, cylinder and prism lenses smoother and faster than examinations performed manually by the operator. By exchanging the internal lenses quickly, the patients' current vision of unaided or current glasses prescription* and corrected vision can be compared.

*Requires data transfer from a NIDEK auto lensmeter.
Please contact us for further information.



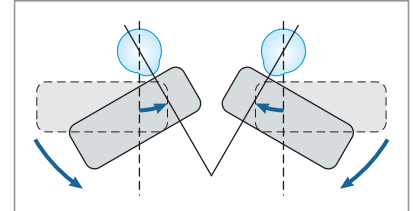
Patient's vision can be compared instantly!

■ Power Convergence and Power PD

During near point tests, power convergence and power PD are adjusted automatically.

■ R / L Independent PD Adjustment for Improved Precision

Right and left PD can be adjusted independently for more accurate and reliable measurements, preventing axis shift.



■ Built-In Clear and Safe Illumination (White LED)

Bright, heat-free and energy efficient white LED for near chart illumination provides a clear and safe examination environment.

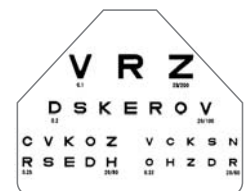


■ Easy-to-Clean: Detachable Forehead Rest, Face Shields, and Protective Glasses with Antifouling Coating

Easy-to-clean parts allow easy maintenance and clean examinations.

■ High Quality Near Point Card

A plastic Near Point Card with selected near point charts is attached to the RT-3100's main body, which can be washed with water to be kept clean.



Working Distance: 40 cm (16 inch)



Eye Care Card System*

The RT-3100 control box incorporates the card slot for Eye Care card system, which provides quick and easy wireless data transfer from auto refractometers and auto lensmeters.

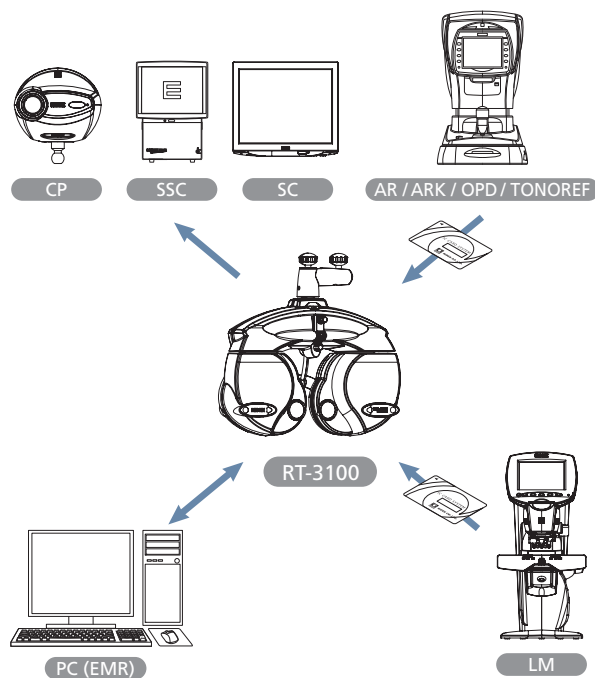
*The card is optional.

EMR (Electric Medical Record) Compatible

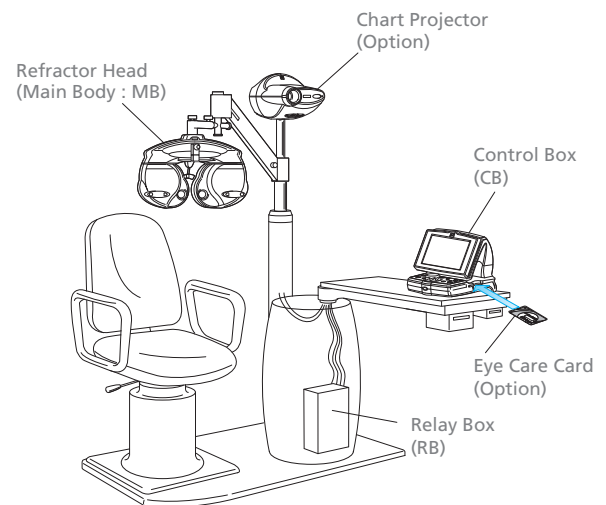
The RT-3100 is compatible with EMR (Electric Medical Record) available for managing patient data increasing efficiency. Errors occurred by written data will lessen with this evolutionary productivity.



Various interface functions with external equipment



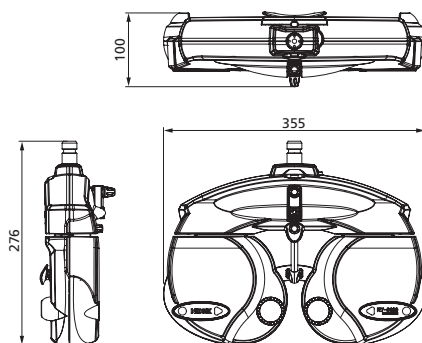
The RT-3100 can be connected with ophthalmic units currently in common use.



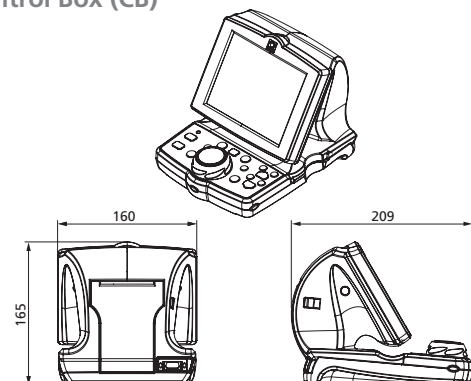
*These configurations are just examples. Please contact us for further information.

Dimensions (mm)

Refractor Head (Main Body : MB)



Control Box (CB)



RT-3100 Specifications

| | |
|-------------------------------------|---|
| Measurement range | |
| Sphere | -19.00 to +16.75 D (0.25 / 0.50 to 3.00 D increments) |
| Cylinder | 0.00 to ± 6.00 D (0.25 / 1.00 D increments) |
| Axis | 0 to 180° (1° / 5° increments) |
| PD | 48.0 to 80.0 mm (far mode) 50.0 to 74.0 mm (near working distance of 35 cm) 54.0 to 80.0 mm (far PD possible for 100% convergence) |
| Rotary prism | 0.0 to 20.0 Δ (0.1 / 0.5 / 2.0 Δ increments) |
| Auxiliary lenses | |
| Cross cylinder lens | ± 0.25 D |
| Occluder | |
| Pinhole plate | $\varnothing 2.0$ mm |
| Red maddox rod | Right eye : horizontal, Left eye : vertical |
| Red / Green filter | Right eye : red, Left eye : green |
| Polarizing filters | Right eye : 135°, Left eye : 45° / Right eye : 45°, Left eye : 135° |
| Fixed cross cylinder lens | ± 0.50 D |
| Spherical lenses for retinoscope | +1.50 / +2.00 D |
| Dispersion prism | Right eye : 6 Δ BU, Left eye : 10 Δ BI * |
| Refraction distance for near vision | 350 to 700 mm (selectable in increments of 50 mm) |
| Visual field | 40° (VD = 12 mm) |
| Forehead rest adjustment | 14 \pm 2 mm |
| VD scale | 12, 13.75, 16, 18, 20 mm |
| Horizontal level adjustment | $\pm 2.5^\circ$ |
| Display | 5.7-inch color LCD |
| Printer | Built-in |
| IC card reader / writer | Built-in |
| Power supply | AC 100 to 240 V 50 / 60 Hz |
| Power consumption | 80 VA |
| Dimensions / Weight | |
| Refractor head (Main body : MB) | 355 (W) x 100 (D) x 276 (H) mm (without bracket) / 3.5 kg 13.98 (W) x 3.94 (D) x 10.87 (H)" (without bracket) / 7.72 lbs. |
| Control box (CB) | 160 (W) x 209 (D) x 165 (H) mm / 1.7 kg 6.30 (W) x 8.23 (D) x 6.50 (H)" / 3.75 lbs. |
| Relay box (RB) | 194 (W) x 227 (D) x 61 (H) mm / 2.0 kg 7.64 (W) x 8.94 (D) x 2.40 (H)" / 4.40 lbs. |
| Standard accessories | Near point card, Near point rod, Forehead rest, Face shield, Stylus pen, Dust cover, Communication cable (MB-RB, CB-RB), Printer paper (3 rolls), Power cord, Operator's manual |
| Optional accessories | Eye Care card - 5 cards / set |

*When connected to NIDEK SC-2000, special settings are available.

Specifications and design are subject to change without notice for improvement.



HEAD OFFICE
34-14 Maehama, Hiroishi
Gamagori, Aichi, 443-0038, Japan
Telephone: +81-533-67-6611
Facsimile : +81-533-67-6610
URL : <http://www.nidek.co.jp>
[Manufacturer]

TOKYO OFFICE
(International Div.)
3F Sumitomo Fudosan Hongo Bldg.,
3-22-5 Hongo, Bunkyo-ku, Tokyo,
113-0033, Japan
Telephone: +81-3-5844-2641
Facsimile : +81-3-5844-2642
URL : <http://www.nidek.com>

NIDEK INC.
47651 Westinghouse Drive
Fremont, CA 94539, U.S.A.
Telephone: +1-510-226-5700
 : +1-800-223-9044 (US only)
Facsimile : +1-510-226-5750
URL : <http://usa.nidek.com>

NIDEK SOCIÉTÉ ANONYME
Europarc
13, rue Auguste Perret
94042 Créteil, France
Telephone: +33-1-49 80 97 97
Facsimile : +33-1-49 80 32 08
URL : <http://www.nidek.fr>

NIDEK TECHNOLOGIES SRL.
Via dell'Artigianato, 6 / A
35020 Albignasego (Padova), Italy
Telephone: +39 049 8629200 / 8626399
Facsimile : +39 049 8626824
URL : <http://www.nidektechnologies.it>

