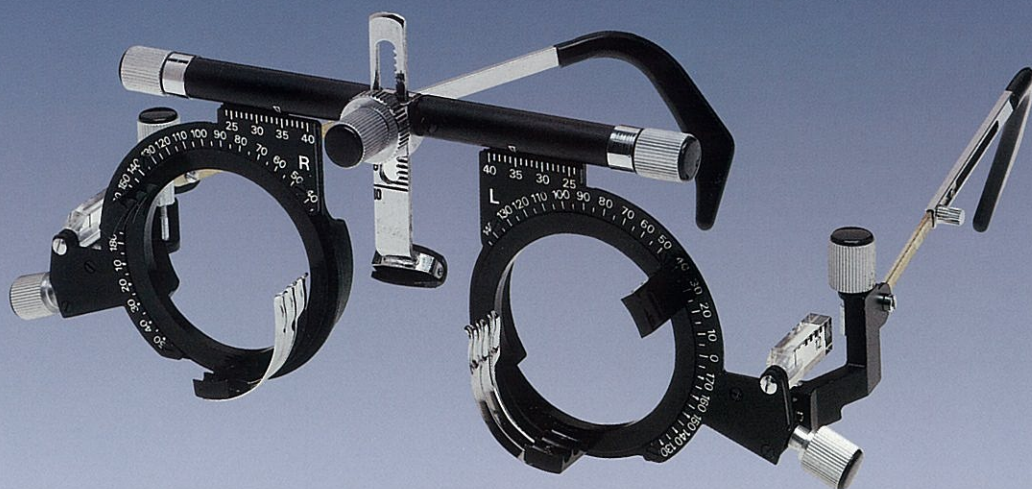
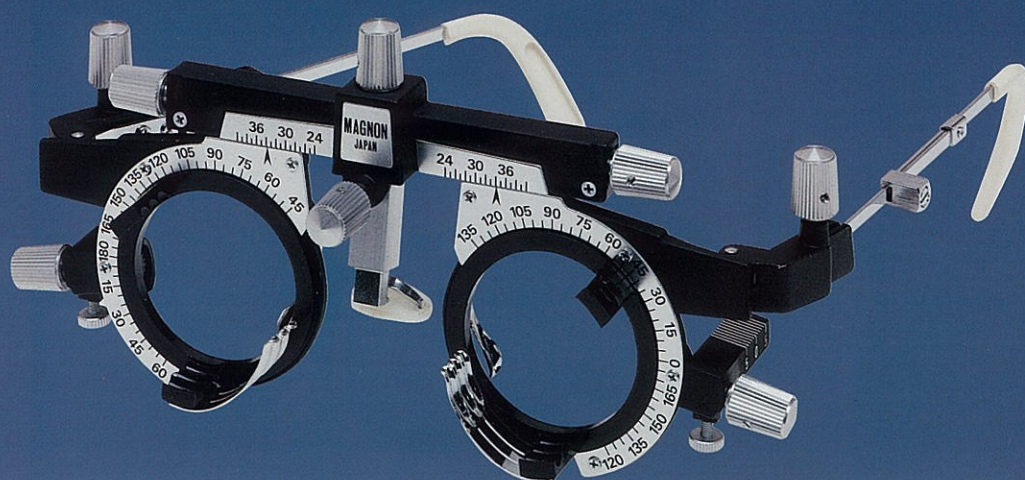


TF-510 / 600

Trial frames



MAGNON

TF-510 / 600

MAGNON

Trial frames

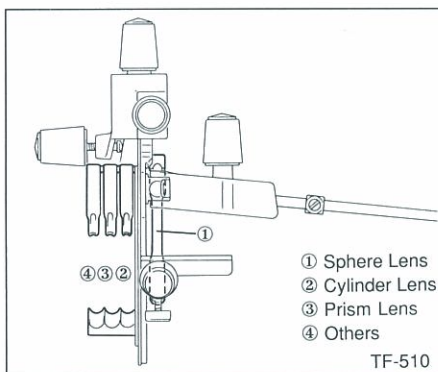
The MAGNON TF-510 and TF-600 are the high quality metal trial frames which are durably constructed, yet light weight comfort for the patient. The fingertip control allows a full range of adjustments for the practitioner. The trial frames can hold any 38 mm trial lens rings. Proper holder spacing ensures accurate additive power results when MAGNON corrected curve additive design lenses are used.

FEATURES

- ★ Variable horizontal and vertical bridge adjustments
- ★ Free-locking saddle bridge for comfortable nose fit
- ★ Individual adjustments for temple length and angle
- ★ Durable spring for holding the frame to patient's head
- ★ Separate PD adjustment for each eye
- ★ Positive drive gear and pinion for easy cylinder holder rotations

SPECIFICATIONS

PD adjustment	48 ~ 80 mm, 1 mm step
Capacity	TF-510 : four lens cells TF-600 : five lens cells
Vertex distance	TF-510 : 13.75 mm \pm 5 mm by 1 mm step TF-600 : ~ 15 mm by 1 mm step
Weight	TF-510 : 81 g TF-600 : 61 g
Finish	Black



Specifications and design are subject to change for improvement without notice.

H. OGINO & CO., LTD.

Yokohama Port P.O.Box 170, Yokohama 231-8691, Japan
Tel: (045)662-5261 Fax: (045)651-5467